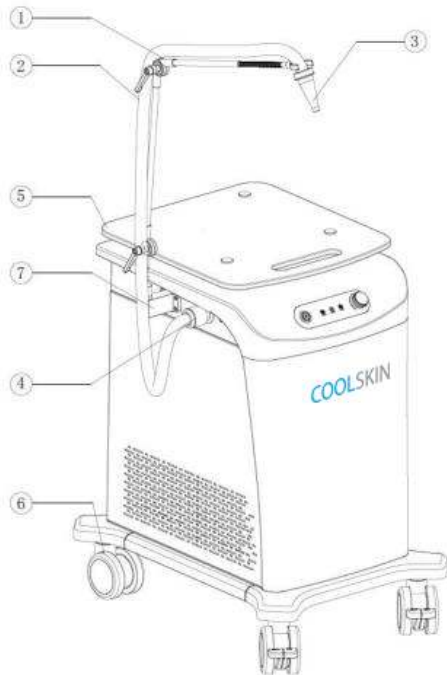
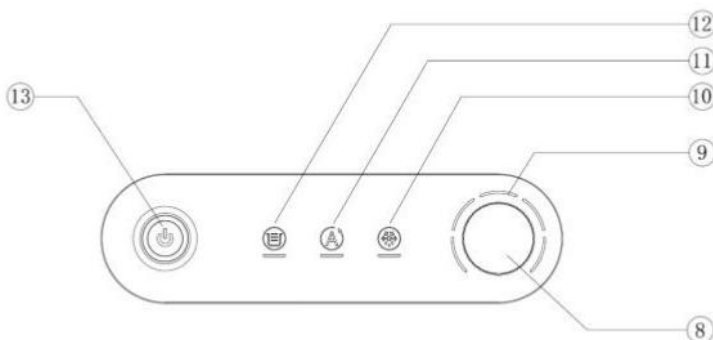


# COOLSKIN

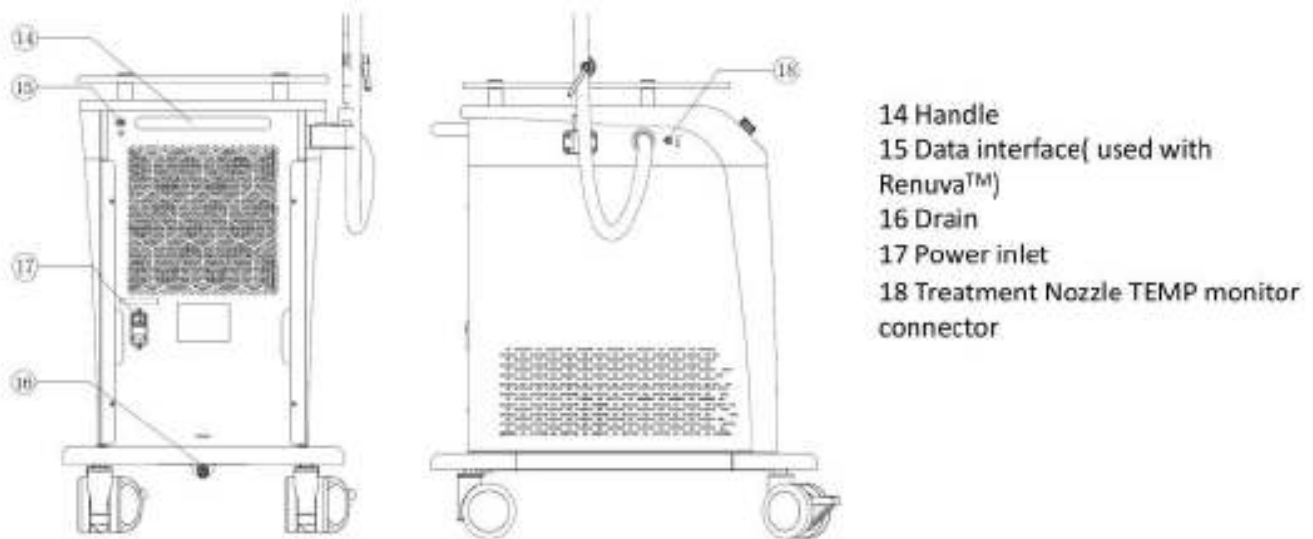
## Brief Operation Guide



- 1 Treatment hose supporter
- 2 Treatment hose
- 3 Treatment nozzle
- 4 Treatment hose connector
- 5 Table surface
- 6 Castor
- 7 Treatment hose supporter base



- 8 Air Flow Adjust knob
- 9 Indicator : Air Flow level
- 10 Defrosting indicator
- 11 Renuva™ Connection Indicator
- 12 Water level Indicator
- 13 Power switch



## 9.1 Preparation

Make sure that Cryoshot is placed stably, the treatment hose, hose supporter, power cable and Cryoshot control line are well connected.

## 9.2 Start the system

Press the switch, Set to ‘1’ status, then press the power switch on the operation panel, the device is powered on and starts to work. The power indicator light is on, the default cold wind gear is 2, and the gear indicator light is on.

## 9.3 Pre-cooling stage

After starting the device, the refrigeration process works, and it takes a while to cool down from room temperature to the usable treatment temperature. This is the pre-cooling stage, about 5 minutes (room temperature 25 °C), the nozzle temperature of the treatment hose can be reduced to below 0 °C, then it can be used normally.



**Note:**

**Do not operate the adjustment knob during the pre-cooling stage to keep the cold air at the default 2nd gear, otherwise the pre-cooling speed may slow down.**

## **9.4 Adjust wind speed**

Adjust the wind speed through the air flow adjustment knob on the operation panel, turn clockwise, the gear will increase, the air volume will increase, and the temperature of the nozzle will be lower. The appropriate wind speed and volume can be selected according to the patient's tolerance. The photothermal effect produced during the laser treatment makes patient more painful, then should adjust the air flow gear more higher.



**Note:**

**During treatment, enquiring patients feedback about the cold air effect frequently. If the patient feels any discomfortable, the operator must reduce the wind speed or increase the treatment distance or stop it.**

## **9.5 Automatically adjust wind speed**

After the pre-cooling stage, the Cryoshot™ (optional) will work with the Renuva™ laser therapy system. After setting the parameters of Renuva™ and click "Ready", Cryoshot™ will automatically adjust the wind volume gear according to different parameters. The greater the laser energy, the higher the wind volume. The operator can also manually adjust the knob to adjust the gear to achieve a comfortable wind volume for the patient.

Disable the function please unplug the connection line between the Cryoshot™ and the Renuva™.

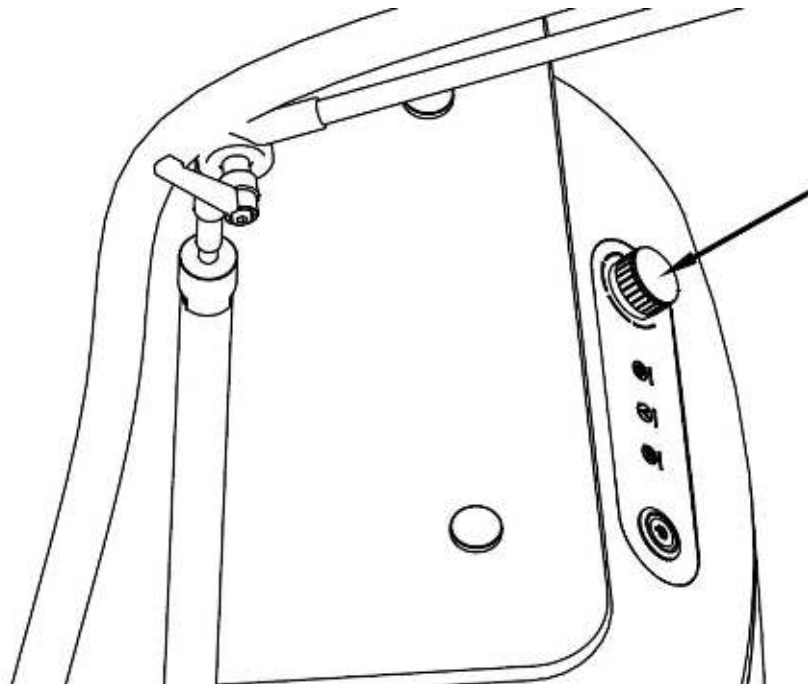


**Note:**

**Automatic adjusting mode match Wingderm Renuva™ laser therapy system only. Please make sure pre-cooling has been finished.**

## 9.6 Defrost

When working continuously for about 4 hours (time may change because of the air humidity ), or the wind volume of the air outlet is significantly reduced, press down Cryoshot™ adjustment knob of the operation panel (as shown in the figure below), the defrost indicator light is on, then Cryoshot enters into the defrosting state, and it is no longer refrigerating at this time, and the device cannot be used normally. Please don't get back until the end of defrosting. After 3-10 minutes, the defrosting will automatically stop (the defrosting indicator light is off) and get back to the normal again. After defrosting, there may be some water remaining in the treatment hose, adjusting the gear to the maximum to blow off the water, reuse it when there is no water dripping .



When the automatic defrost is over, it is normal for the risen temperature of the nozzle, repeat step 9.3 (pre-cooling stage)



**Note:**

If the ambient humidity is relatively high, the frost inside the machine will be faster, and you need to defrost frequently to ensure that the wind volume and temperature of the air outlet reach the maximum performance.

During the automatic defrosting process, the wind volume will automatically change, which is a normal state.

Pressing the Cryoshot adjustment knob on the operation panel again during the defrosting process will interrupt the defrosting and enter the normal use state. But this operation is not recommended. Only enough time for defrosting can guarantee the working time of normal use next time.

## 9.7 Drainage

When the Cryoshot defrosts, the frost turns into water and accumulates in the water storage box in the machine. When the water reaches a certain amount, the alarm will sound and the water level indicator will light to remind the user to release the water. At this time, plug the water drain tool in the accessories into the drain port, and the water will flow out. After the drainage is completed, pull out the drainage tool (as shown in the figure below) .

